



Industrie

REMACLEAN HM-F2

Belt scraper system with individual elastically supported tungsten carbide blades and a spindle-type tension unit for cleaning of conveyor belt top covers at the head pulley.

The **REMACLEAN HM-F2** system is universally applicable for many types of materials. The individual elastically supported tungsten carbide blades can pivot about the axis of the joint. Therefore the tungsten carbide blades optimally adjust to the belt surface and guarantee effective and belt friendly cleaning. The scraper blade is tensioned by a **spindle type tension unit**. The outer tungsten carbide segments are equipped with an indicator showing the contact pressure of the blades.



REMACLEAN HM-F2

Advantages

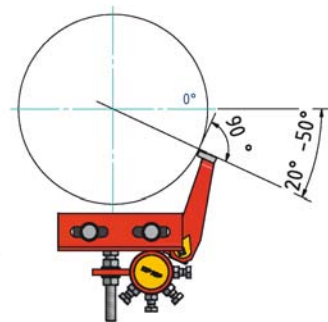
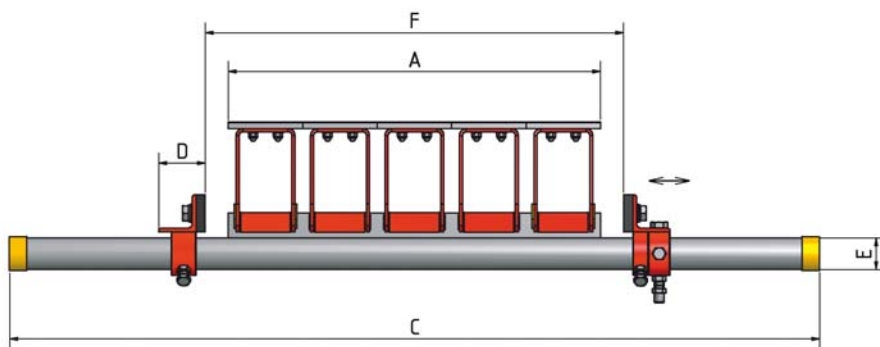
- High cleaning efficiency due to optimum adaptability of the blades (individual bearings) to the conveyor belt surface
- Long service life due to highly wear resistant materials
- Installation below pulley axis (outside of main material flow)
- Open design of segments and torsion elements to ensure material run off
- Easily adjustable, low maintenance through rubber spring elements
- Constant and ideal contact pressure; easily adjustable and display readable
- Tension unit can also be mounted outside the conveyor construction
- Suitable for shuttle belt conveyors
- For belt speeds up to 3 m/s
(for belt widths 1600 and more up to 2.5 m/s)



REMACLEAN HM-F2

Technical data

Belt width (mm)	Cleaning width (mm)	Length of support tube (mm)	Bracket width (mm)	Diameter of support tube (mm)	Assembly width (mm)	Number of segments L=120 mm (units)	Number of segments L=240 mm (units)
	"A"	"C"	"D"	"E"	"F"		
400	360	1400	75	51	460 - 1200	3	--
500	480	1500	75	51	480 - 1300	4	--
650	600	1650	75	51	700 - 1450	5	--
800	720	1750	75	60	820 - 1550	6	--
900	840	1900	75	60	940 - 1700	7	--
1000	960	2000	115	60	1060 - 1800	8	--
1200	1080	2200	115	76	1180 - 1950	9	--
1400	1200	2400	115	76	1300 - 2150	10	--
1600	1440	2600	115	101	1540 - 2350	8	2
1800	1680	2800	115	101	1780 - 2550	10	2
2000	2000	3000	115	101	1900 - 2850	11	2



REMA TIP TOP GmbH
Business Unit Industrie

Gruber Strasse 63
Phone:
Fax:
www.rema-tiptop.com

85586 Poing/Germany
+49 8121 707-245
+49 8121 707-222
info@tiptop.de