



REMACLEAN HM-U3

REMACLEAN HM-U3 is a belt scraper system for belt return side applications with a tungsten carbide blade featuring a low installation height and tension unit INNOVATION.

The **REMACLEAN HM-U3** is universally applicable for many types of materials. The tungsten carbide blade optimally adjusts to the belt and therefore guarantees effective and belt friendly cleaning. The design of the tungsten carbide blade as well as the multi layer anti-caking coating guarantees long service life and high reliability. The tension unit **INNOVATION** allows continuous calibration of the contact pressure and fits various installation situations.



REMACLEAN HM-U3



Advantages

- Universally applicable for many types of materials
- Excellent cleaning efficiency
- Long service life of the tungsten carbides due to highly wear resistant materials
- Belt friendly cleaning due to rounded edges of the blade
- Easy installation and adjustment of the scraper system
- Low installation space requirement
- Automatic system adjustment
- Tension unit INNOVATION with precise micro adjustment of the contact pressure
- Integrated pitch adjustment of the scraper blade
- REMA-REPCOAT SL anti-caking coating on the tungsten carbide blade
- Applicable for temperatures from -40°C to +130°C
- For belt speeds up to 2.5 m/s

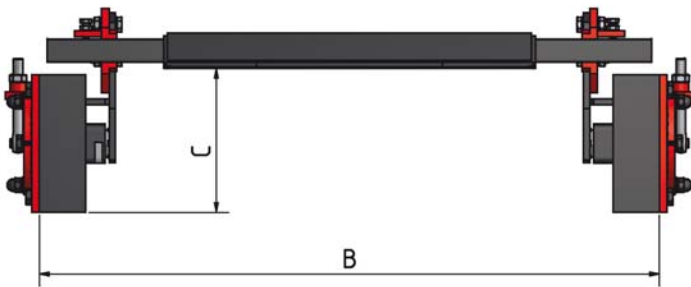
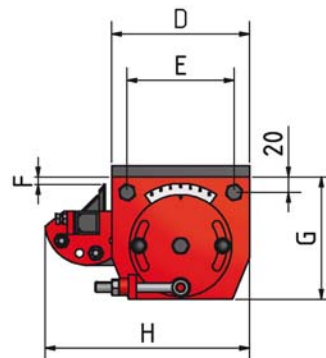
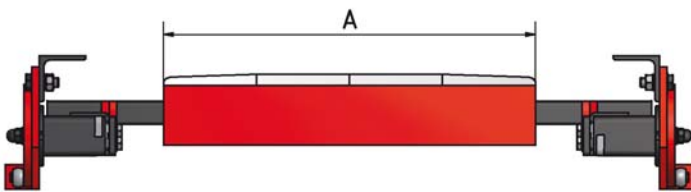


Industrie

REMACLEAN HM-U3

Technical data

Belt width (mm)	Blade width (mm)	Assembly width (mm)					
	"A"	"B"	"C"	"D"	"E"	"G"	"H"
400	360	600-800	186	178	138	158	264
500	480	700-900	186	178	138	158	264
650	600	850-1050	186	178	138	158	264
800	720	1050-1250	186	178	138	158	264
1000	960	1250-1450	237	200	160	180	335
1200	1080	1500-1700	307	240	200	220	405



REMA TIP TOP GmbH
Business Unit Industrie

Gruber Strasse 63
Phone:
Fax:
www.rema-tiptop.com

85586 Poing/Germany
+49 8121 707-245
+49 8121 707-222
info@tiptop.de

582 1561 - |.2010

