

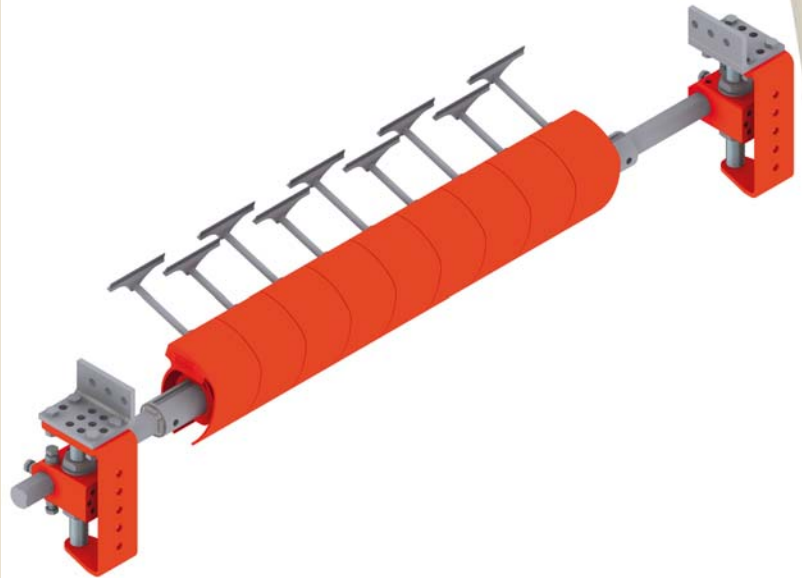


Industrie

REMACLEAN HM-U8

Belt scraper system for belt return side applications with elastically supported tungsten carbide blades and a spindle-type tension unit with reinforcement bracket.

The **REMACLEAN HM-U8** system is universally applicable for many types of materials. The overlapping tungsten carbide blades achieve optimal degree of cleaning. In addition, they can rotate around their own axis and swing dynamically with the polyurethane base. Thereby the tungsten carbide blades optimally adjust to the belt surface and guarantee effective and belt friendly cleaning. The tungsten carbide blades are guided via a **spindle-type tension unit**. The reinforced tension unit is designed for heavy-duty operating conditions.



REMACLEAN HM-U8



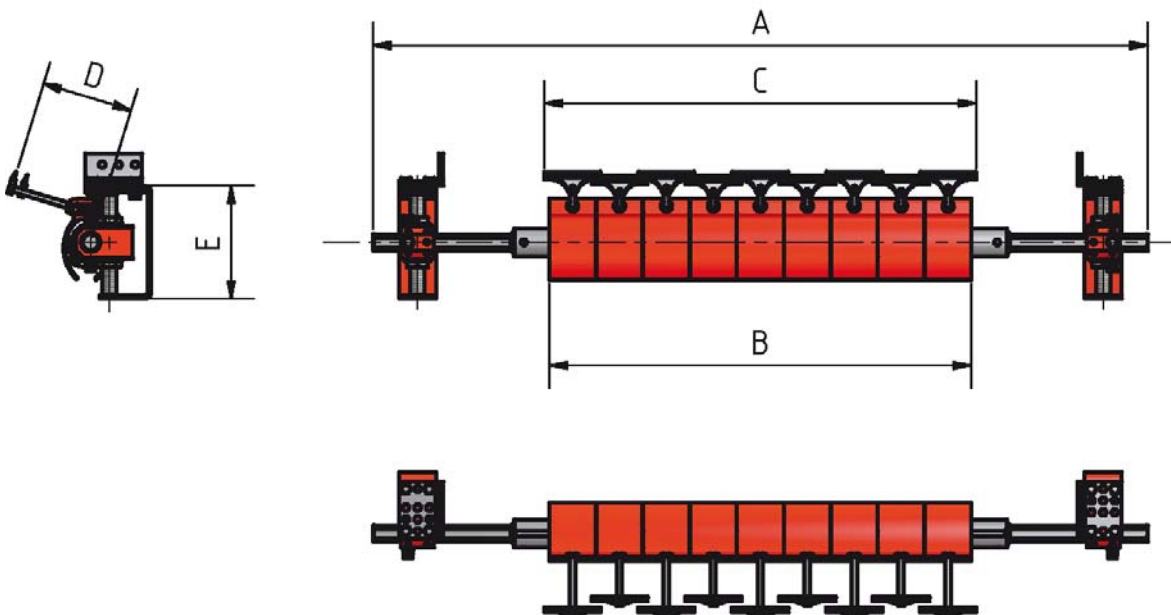
Advantages

- Belt friendly cleaning produced by the sagging function of the segment bars
- Precise adjustment of the required contact pressure
- Top quality tungsten carbide blades provide long service life
- Compact design
- Tool free installation / exchange of segments
- Tungsten carbide blades in stainless steel design
- Heavy-duty design for demanding applications
- Suitable for bulk material applications in all sectors of industry
- For belt speeds up to 4.0 m/s

REMACLEAN HM-U8

Technical data

Belt width (mm)	Cross beam length (mm)	Width of segment base (mm)	Cleaning width (mm)	Max. length tungsten carbide blades (mm)	Height of tension unit (mm)	Number of segments (per unit)
	"A"	"B"	"C"	"D"	"E"	
800	1430	700	720	170	240	7
1000	1650	900	920	170	240	9
1200	1870	1100	1120	170	240	11
1400	2090	1300	1320	170	240	13
1600	2310	1500	1520	170	240	15
1800	2530	1700	1720	170	240	17



REMA TIP TOP GmbH
Business Unit Industrie

Gruber Strasse 63
Phone:
Fax:
www.rema-tiptop.com

85586 Poing/Germany
+49 8121 707-245
+49 8121 707-222
info@tiptop.de