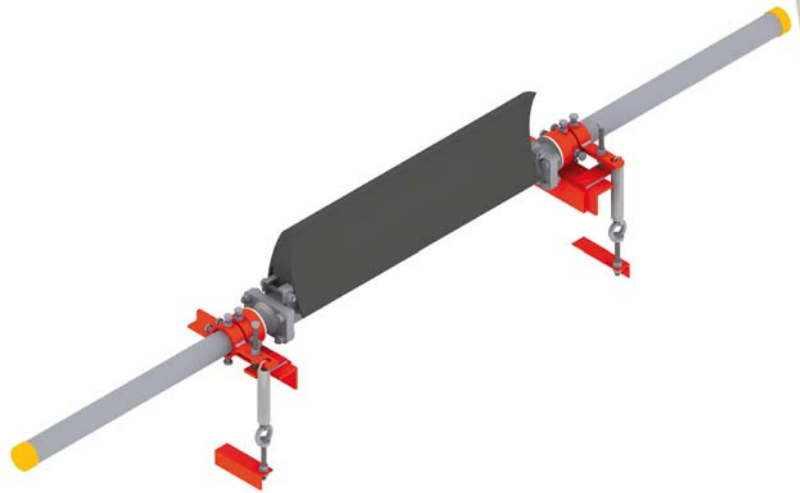


REMACLEAN PUR-F3/PUR-F4

Primary belt scraper system with a polyurethane blade and a spring lever tension unit for the cleaning of conveyor belt top covers at the head pulley.

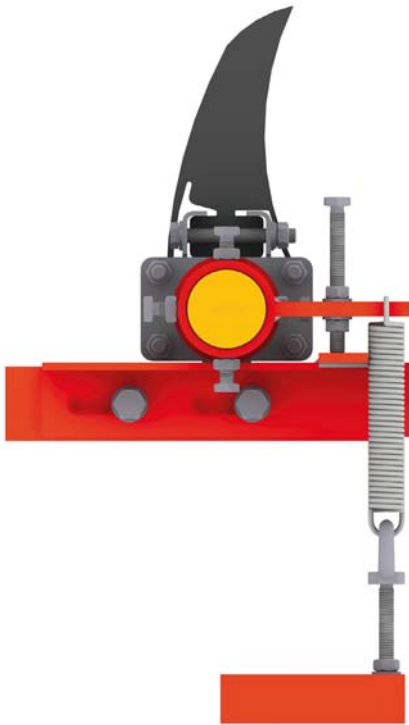
PUR-F3 for pulley diameters 220 mm or up and PUR-F4 for pulley diameters 500 mm and up.

The **REMACLEAN PUR-F3** and **PUR-F4** systems are universally applicable for many types of materials. The polyurethane blade is attached to the system support structure yet can revolve around its own axis, if necessary. The scraper blade optimally adjusts to the belt surface and guarantees effective and belt friendly cleaning. Suitable for crowned pulleys and shuttle belt operation. Precise contact pressure is achieved by a **spring lever tension unit**.



Advantages

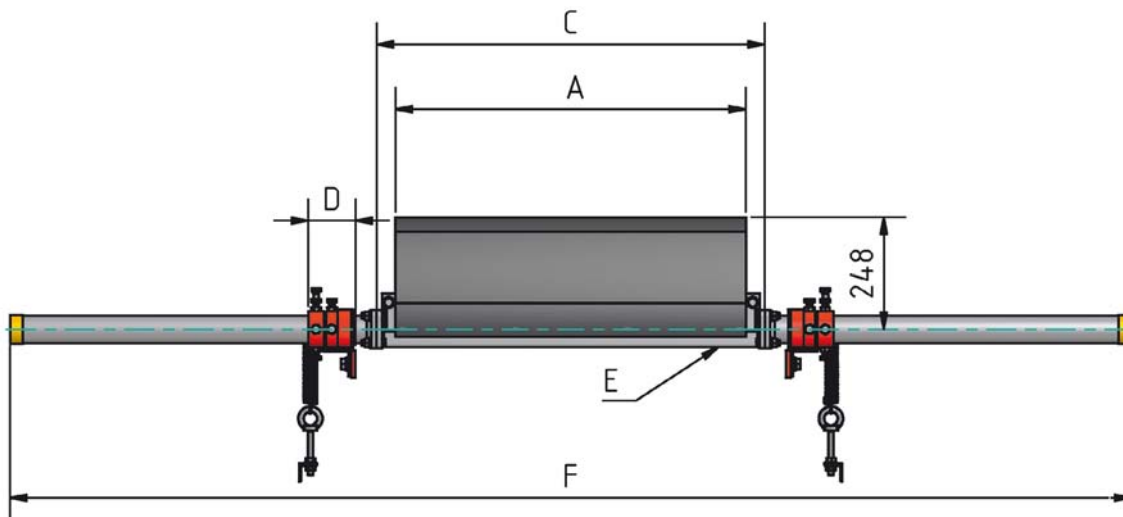
- The polyurethane blade optimally adjusts to the belt surface and guarantees effective cleaning
- Long service life is achieved by using highly wear resistant polyurethane material
- Suitable for use with mechanical fasteners
- Easy installation and adjustment, the spring lever tension unit requires minimum maintenance
- Uniform and optimal contact pressure is easily set
- Can be used for shuttle belt operation and crowned pulleys
- For belt speeds up to 4.0 m/s



REMACLEAN PUR-F3/PUR-F4

Technical data

Belt width (mm)	Length of polyurethane blade (mm)	Length of system support tube (mm)	Bracket width (mm)	Type of system support tube (mm)	Length of support tube (mm)
	"A"	"C"	"D"	"E"	"F"
400	300	364	105	80x60x4	1558
500	400	464	105	80x60x4	1688
650	600	694	105	80x60x4	1888
800	700	764	105	80x60x4	1988
1000	900	972	105	80x60x4	2604
1200	1100	1172	105	80x60x4	2804
1400	1300	1372	105	80x60x4	3004
1600	1500	1572	105	80x60x4	3204
1800	1700	1772	105	80x60x4	3404
2000	1900	1972	105	80x60x4	3604



REMA TIP TOP GmbH
Business Unit Industrie

Gruber Strasse 63
Phone:
Fax:
www.rema-tiptop.com

85586 Poing/Germany
+49 8121 707-245
+49 8121 707-222
info@tiptop.de