



Industrie

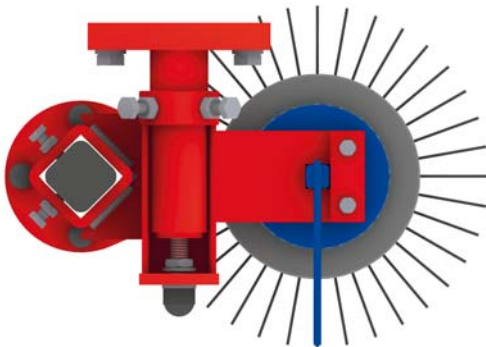
REMACLEAN TMB

REMACLEAN TMB is a conveyor belt cleaning system with an electrically-driven plastic brush designed for cleaning of the surfaces of belts that convey dry material.

REMACLEAN TMB can be universally employed for all types of dry and powdery materials. The very robust and compact design of the drum motor, on which the plastic brush is mounted, and the spindle tensioning unit permit belt speeds up to 2.5 m/s. The design of the bristles provides effective and belt-friendly cleaning as well as long service life and high reliability. The compact system can be installed directly behind the head pulley or inside the belt conveyor or transfer frame.



REMACLEAN TMB



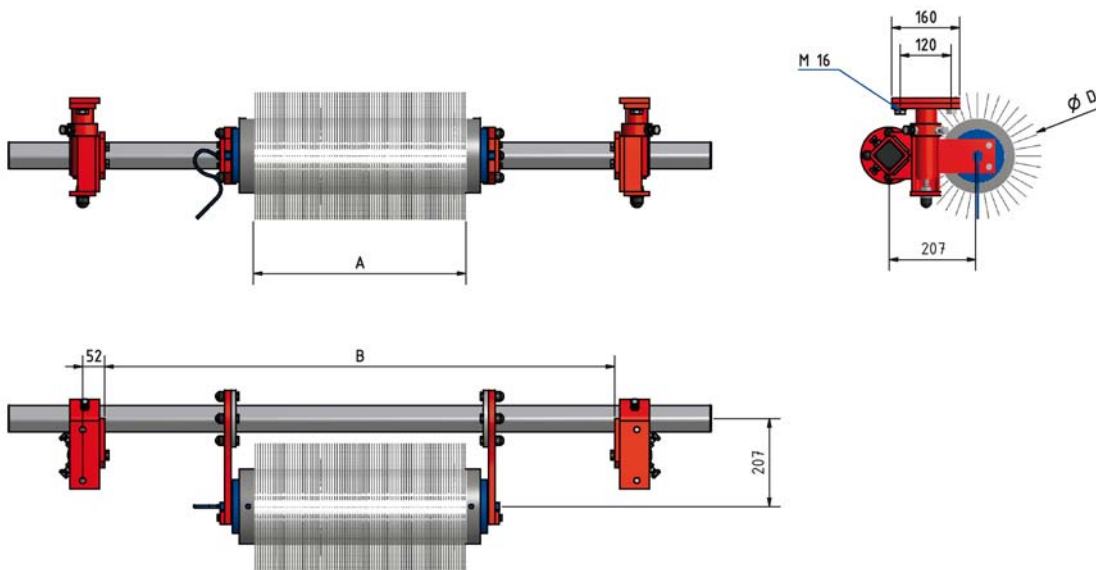
Advantages

- Very good cleaning efficiency
- Long service life through use of high-quality plastic bristles
- Modular system consisting of drum motor with attached rubber brush and mounting brackets with spindle tensioning unit
- Constant and ideal contact pressure, easily adjustable
- Tension unit can be mounted inside or outside the conveyor frame
- Adjustable by one person, no special knowledge required
- Belt-friendly cleaning
- Suitable for shuttle belt operation
- Can be used at operating temperatures up to 60 °C
- The use of a primary belt cleaner can improve performance, and may even be necessary, for many types of materials
- Belt speeds up to 2.5 m/s

REMACLEAN TMB

Technical data

Belt width (mm)	Brush width (mm)	Bracket width (mm)	Brush diameter (mm)	Motor capacity (kW)
400	300	472 - 1230	300	0.75
500	400	572 - 1330	300	0.75
650	500	672 - 1480	300	0.75
800	700	872 - 1630	300	0.75
1000	950	1072 - 1880	325	1.5
1200	1100	1272 - 2030	325	1.5
1400	1300	1472 - 2230	325	1.5



Voltage of electric motor: 230/400 V.

Other models also available on request.

REMA TIP TOP GmbH
Business Unit Industrie

Gruber Strasse 63
Phone:
Fax:
www.rema-tiptop.com

85586 Poing/Germany
+49 8121 707-245
+49 8121 707-222
info@tiptop.de